

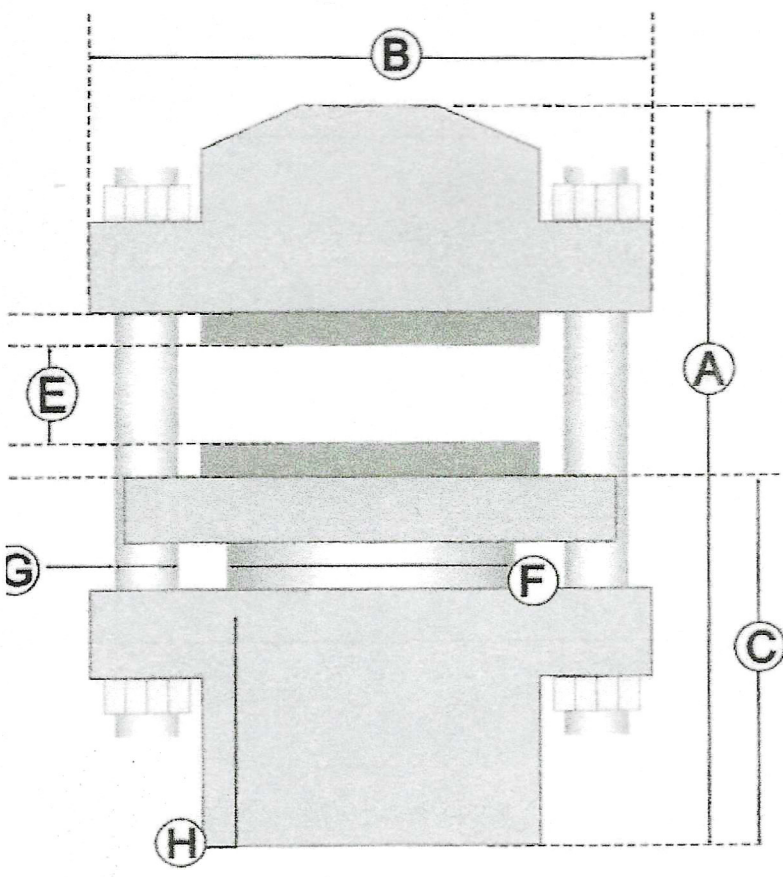
**PROGRESSIVE METALLIZING  
& MACHINE**



**DAVID M. DATSKO**  
OWNER  
DMD@PROREBUILD.COM



D: 330-784-4717      300 MASSILLON RD  
 C: 330-472-1110      AKRON, OH 44312  
 F: 330-784-4728      WWW.PROREBUILD.COM



**ROD PRESS FORM  
PRESS NUMBER:**

- A. OVERALL HEIGHT: 78
- B. WIDTH: 50
- C. FLOOR TO BOLSTER HEIGHT: 40
- D. TOTAL OPENING WITHOUT: 20
- E. MAXIMUM SINGLE OPENING: 16-17"
- F. RAM DIAMETER: 22
- G. ROD DIAMETER: 5
- H. STROKE: roughly 15"

**DISTANCE BETWEEN RODS**  
L/R: 30.5"

**PLATENS**  
# OF PLATENS:  
THICKNESS:  
L/R: 30" x 30"  
F/B:  
TYPE:

**SERVICE:**  
 OIL  
 WATER  
 WATER SOLUBLE

**MFG:**

**MAXIMUM WORKING PRESSURE (PSI):** 2000

**ESTIMATED WEIGHT:**

**TYPE OF GUIDING:** half-guided

380 tons @ 2000 psi

**COMMENTS:** can add spacer to bottom of press, or mill bottom of ram to closer meet daylight and floor to bolster requirements if need be